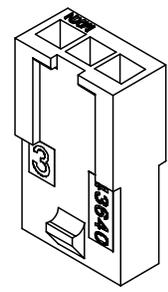
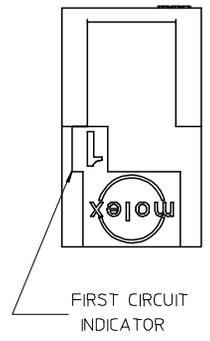
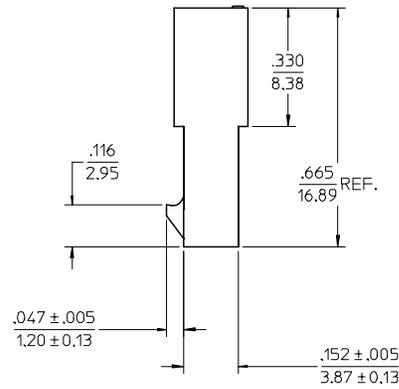
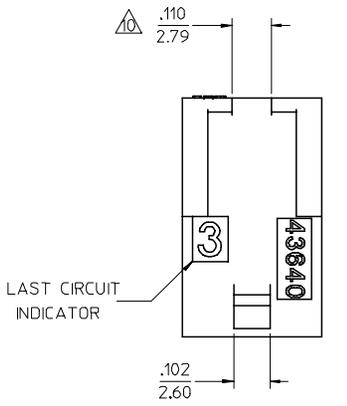
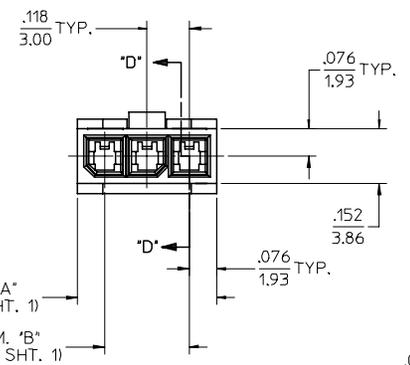


13 12 11 10 9 8 7 6 5 4 3 2 1

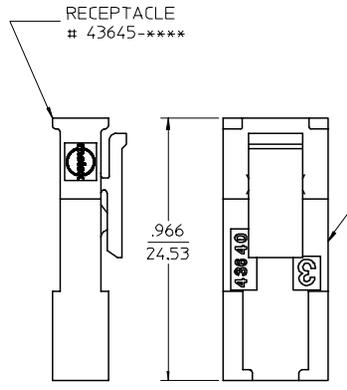
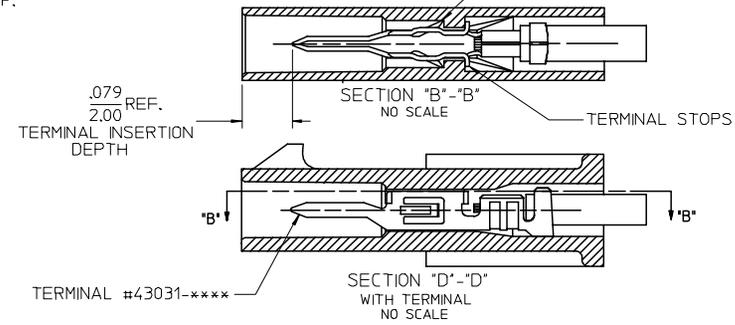
X-CONTACT FACTORY	ASSEMBLY ITEM NUMBER	PART CHARACTERISTICS	
		NUMBER OF POSITION	
	43640-0201	02	
	43640-0301	03	
	43640-0401	04	
	43640-0501	05	
I	43640-0601	06	
X	43640-0701	07	
X	43640-0801	08	
X	43640-0901	09	
X	43640-1001	10	
X	43640-1101	11	
X	43640-1201	12	



PLUG WITHOUT PANEL MOUNTS



TERMINAL LOCKING TABS MUST BE FULLY SEATED TO HOUSING BEFORE MATING WITH OTHER HALF OF CONNECTOR SYSTEM.



MATED MICRO-FIT CONNECTOR

REVISED & REDRAWN FC NO: UCP2007-2606 DRAWN: P. RIDER 2007/05/03 CHKD: S. SOUSEK 2007/05/04 APPR: F. SMITH 2007/05/08	QUALITY SYMBOLS ▽=0 ▽=0	GENERAL TOLERANCES (UNLESS SPECIFIED)		DIMENSION STYLE		SCALE	DESIGN UNITS	THIRD ANGLE PROJECTION	
		mm	INCH	IN/MM		4:1	METRIC		
		4 PLACES ± .005	± .005	DRAWN BY	DATE	TITLE MICRO-FIT (3.0) IN-LINE 2 THRU 12 CIRCUIT PLUG W/ OPTIONAL PANEL MOUNTS			
		3 PLACES ± .010	± .010	AFG	1996/01/19				
		2 PLACES ± 0.25	± .014	CHECKED BY	DATE	MATERIAL NO. DOCUMENT NO. SHEET NO. SD-43640-**** 2 OF 2			
		1 PLACE ± 0.35	± .014	BAP	1996/01/19				
		ANGULAR ± 5 °		APPROVED BY	DATE	MOLEX MOLEX INCORPORATED			
				RJF	1996/01/19				
		DRAFT WHERE APPLICABLE MUST REMAIN WITHIN DIMENSIONS		SEE CHART					

12 11 10 9 8 7 6 5 4 3 2 1